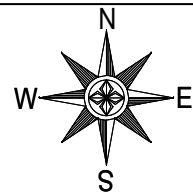
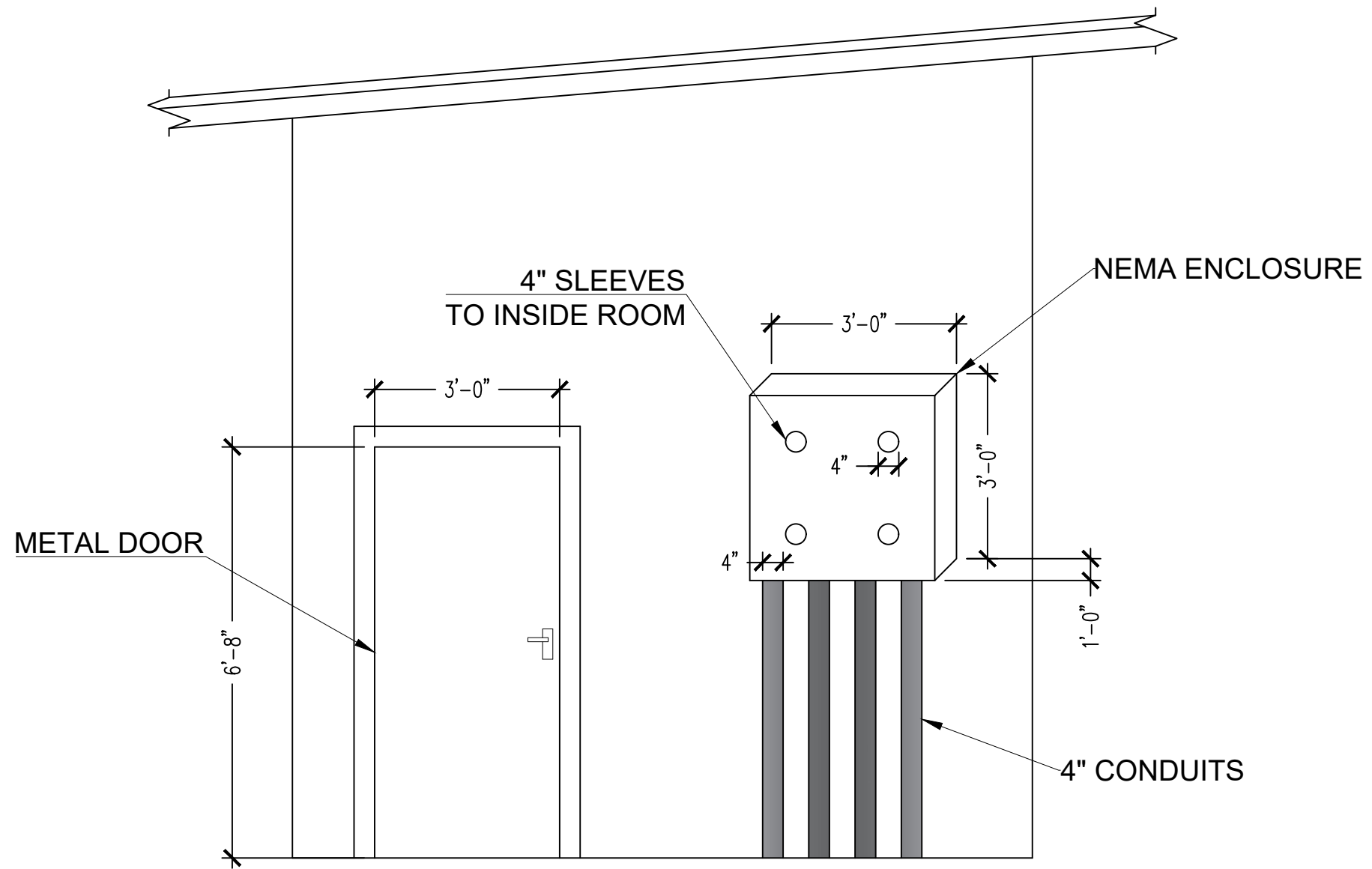


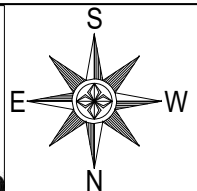
COLO ROOM FLOOR PLAN 



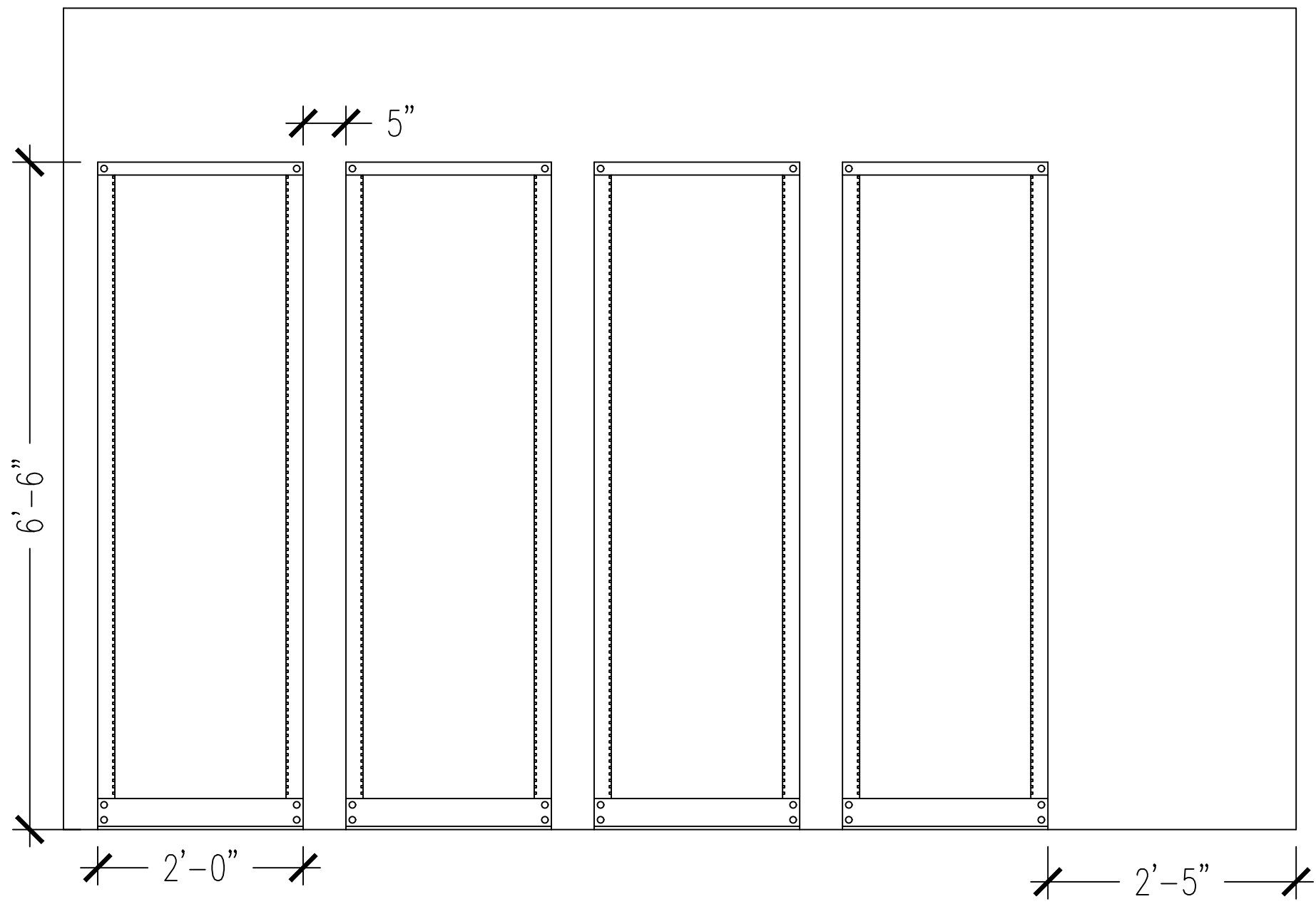
| DATE | DRAWING REVISIONS |
|------|-------------------|
| | |
| | |
| | |
| | |
| | |



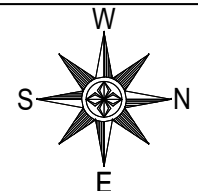
FRONT FACING SOUTH 



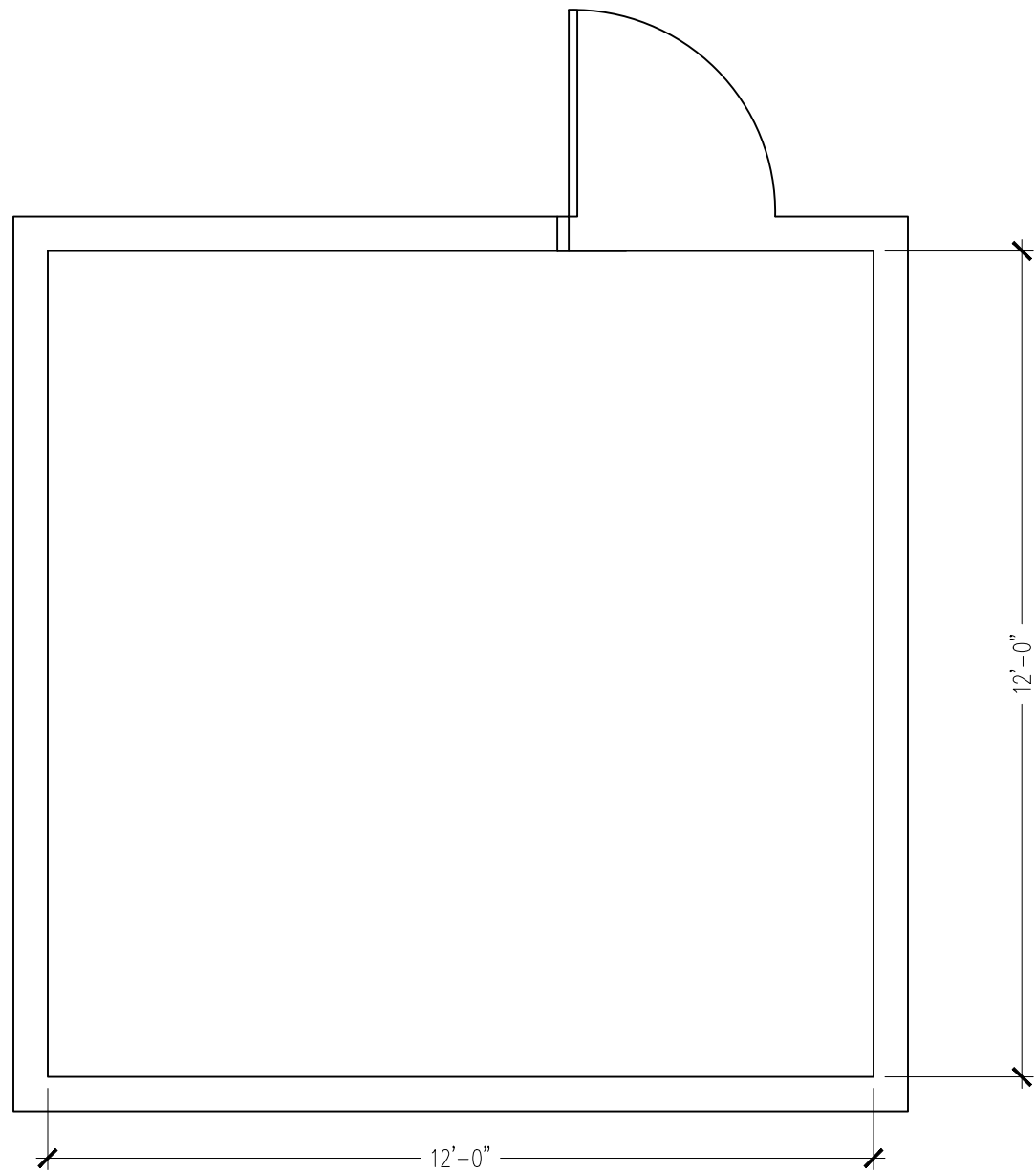
| DATE | DRAWING REVISIONS |
|------|-------------------|
| | |
| | |
| | |
| | |
| | |



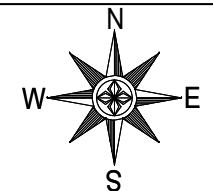
COLO ROOM CUT-OUT 



| DATE | DRAWING REVISIONS |
|------|-------------------|
| | |
| | |
| | |
| | |
| | |



COLO ROOM FLOOR PLAN (N)



DAYTON POC COLO RELAY ROOM

| DATE | DRAWING REVISIONS |
|------|-------------------|
| | |
| | |
| | |
| | |
| | |

DATE
03/21/22
SHEET
#4